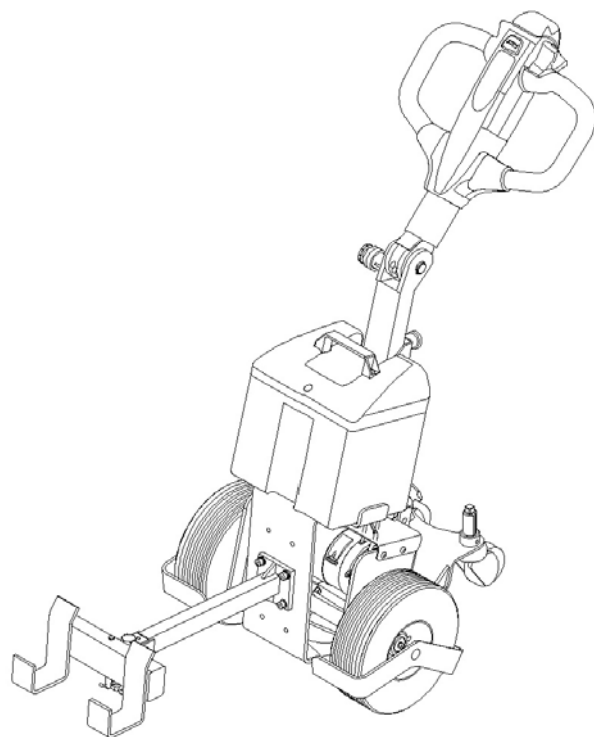


# SPAREPARTS LIST

## Electric Tow Tractor T E10



Version 05/2014

From truck identification number:

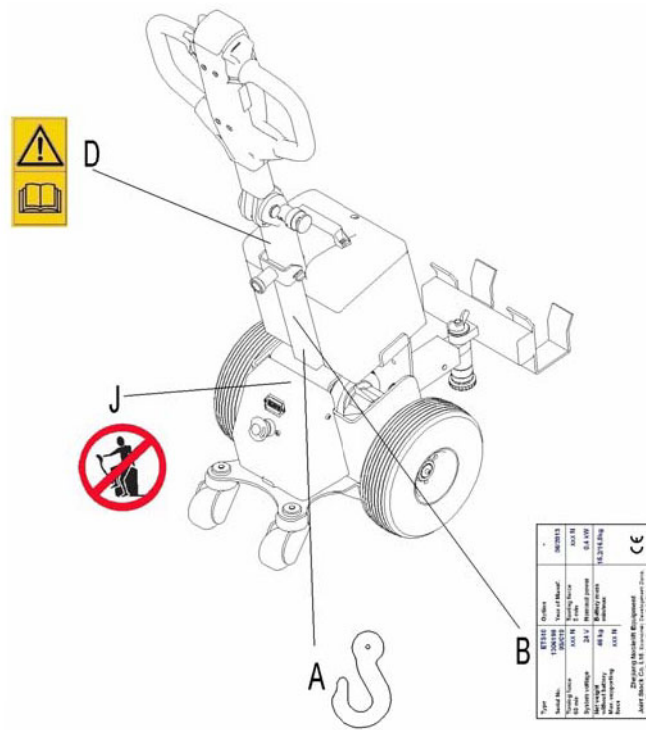
45130700004

T E10-BPT-002-EN

## Catalogue

Fig.1 Label (for EU) .....	1
Fig.2 Label (for US) .....	2
Fig.3 Outline .....	3
Fig.4 Dragging Frame(一).....	4
Fig.5 Dragging Frame (二) .....	5
Fig.6 Dragging Frame (三) .....	6
Fig.7 Dragging Frame (四) .....	7
Fig.8 Truck Frame .....	8
Fig.9 Drive System .....	10
Fig.10 Tiller Arm .....	11
Fig.11 Battery .....	13
Fig.12 Tiller .....	15
Fig.13 Instruments Board Assembly .....	17
Fig.14 Electronic Control Assembly .....	18
Fig.15 Drive Wheel .....	20
Fig.16 Cables.....	21
Easy worn parts list.....	22

**Fig.1 Label (for EU)**



**Fig.1 Label (for EU)**

No.	Art No.	Description	Qty.	Note	Standard
A	9000005967	Crane hook label	1		
B	9000008646	ID-plate	1		
D	9000003570	Sticker to read and follow these instruction	1		
J	9000003573	'No passengers' decal	1		

Fig.2 Label (for US)

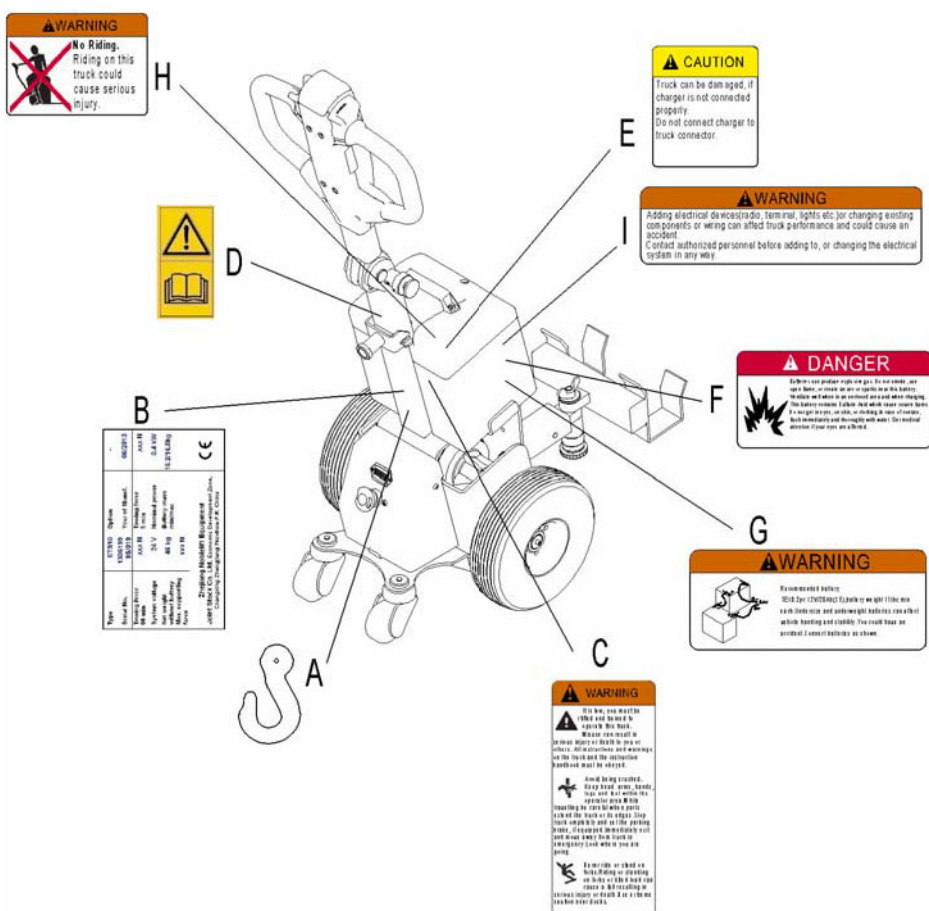
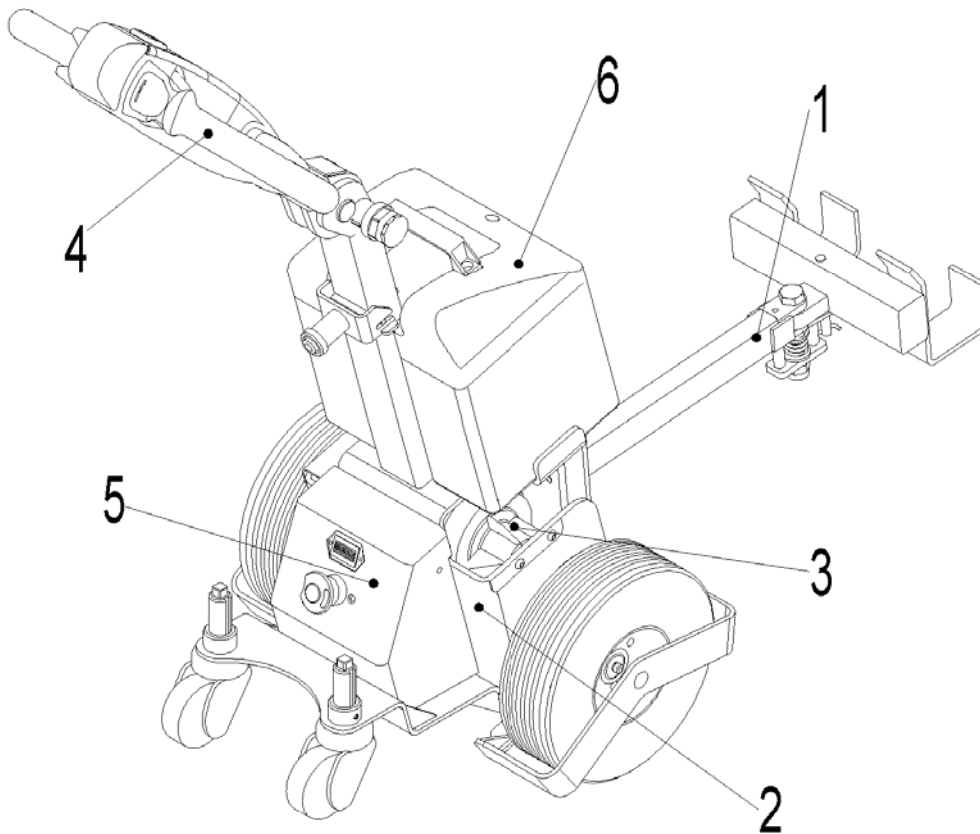


Fig.2 Label (for US)

No.	Art No.	Description	Qty.	Note	Standard
A	900005967	Crane hook label	1		
B	900008646	ID-plate	1		
C	900003575	Sign warning stay clear stop truck	1		
D	900003570	Sticker to read and follow these instruction	1		
E	900003576	Sign Caution charger	1		
F	900003577	Sign danger battery	1		
G	900008583	Sign warning battery size	1		
H	900003580	Never sit on	1		
I	900003579	Sign warning electrical devices	1		

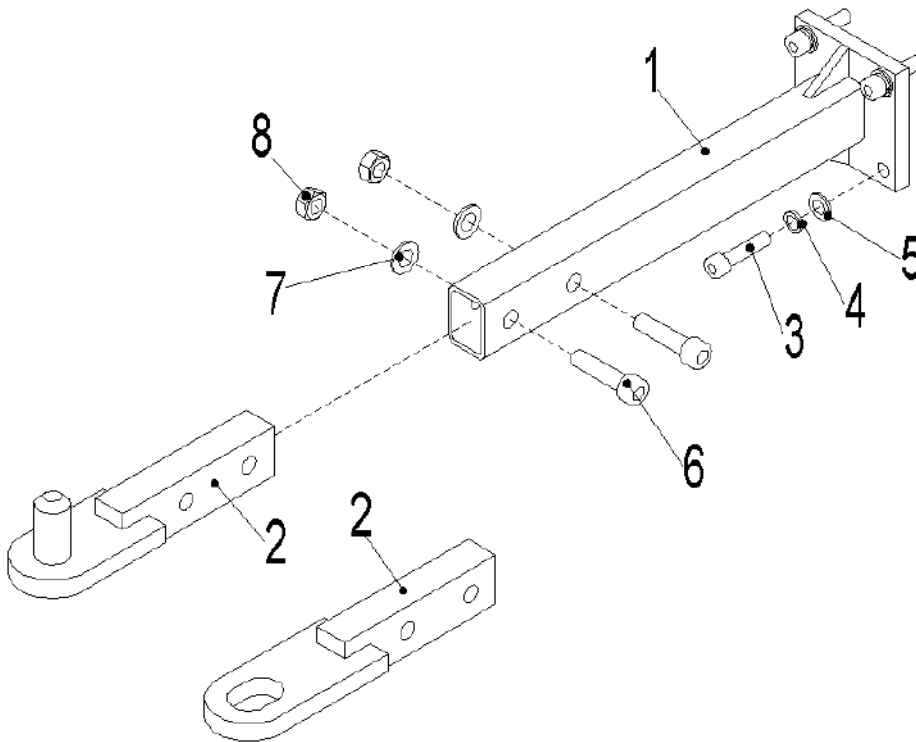
**Fig.3 Outline**



**Fig.3 Outline**

No.	Art No.	Description	Qty.	Note	Standard
1	9000009555	Dragging frame	1		
	9000009549	Dragging frame	1		
	9000009553	Dragging frame	1		
	9000009535	Dragging frame	1		
2	9000008347	Chassis	1		
3	9000008348	Driving assembly	1		
4	9000008349	Tiller arm components	1		
5	9000008350	Electric instrument components	1		
6	9000008351	Battery components	1		

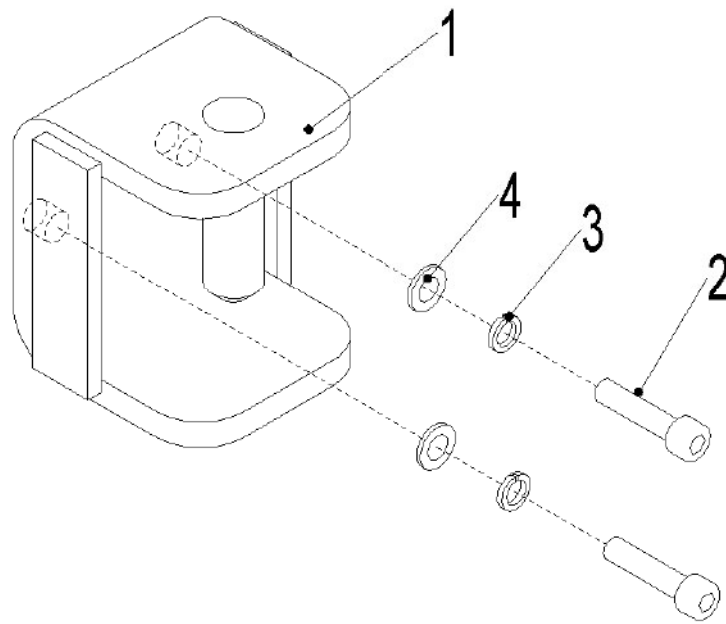
**Fig.4 Dragging Frame(一)**



**Fig.4 Dragging Frame (一)**

No.	Art No.	Description	Qty.	Note	standard
1	9000009550	Rack/ Hanger	1		
2	9000009551	Drawing head assembly	1		
	9000009552	Drawing head assembly	1		
3	0000023455	Screw	4	M8x35	GB/T70.1=ISO4762
4	0000025001	Washer	4	8	GB/T93
5	0000025011	Washer	4	8	GB/T95
6	0000023025	Screw	2	M10x40	GB/T70.1=ISO4762
7	0000025002	Washer	2	10	GB/T95
8	0000024065	Nut	2	M10	GB/T41

**Fig.5 Dragging Frame (二)**



**Fig.5 Dragging Frame (二)**

No.	Art No.	Description	Qty.	Note	standard
1	9000009554	Welded traction seat	1		
2	0000023455	Screw	2	M8x35	GB/T70.1=ISO4762
3	0000025001	Washer	2	8	GB/T93
4	0000025011	Washer	2	8	GB/T95

Fig.6 Dragging Frame (三)

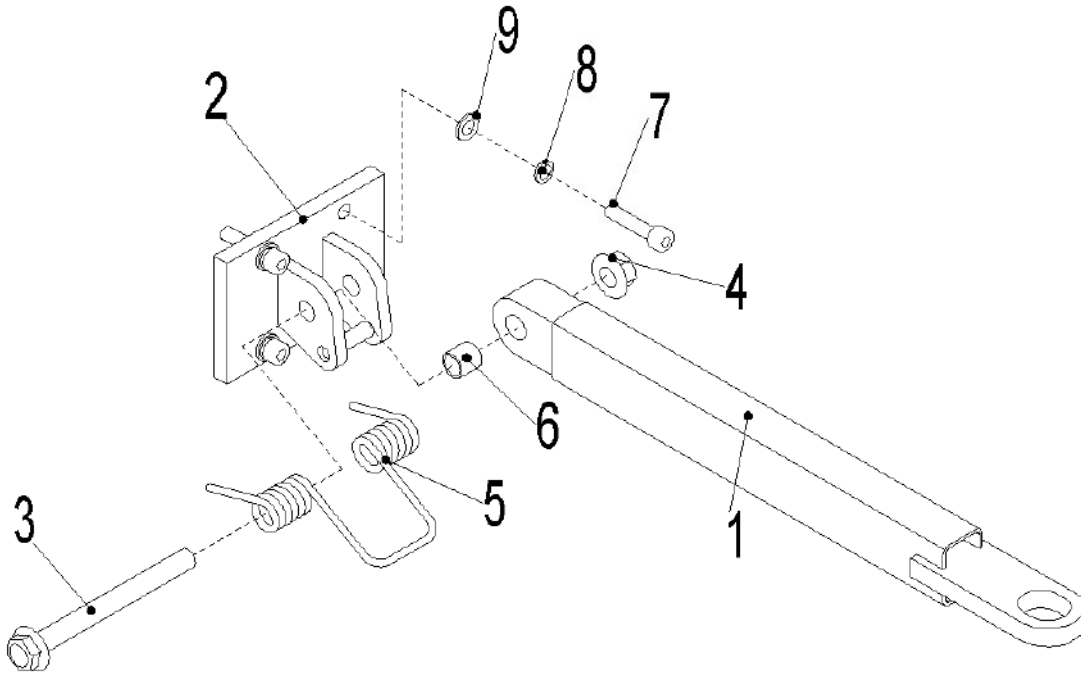
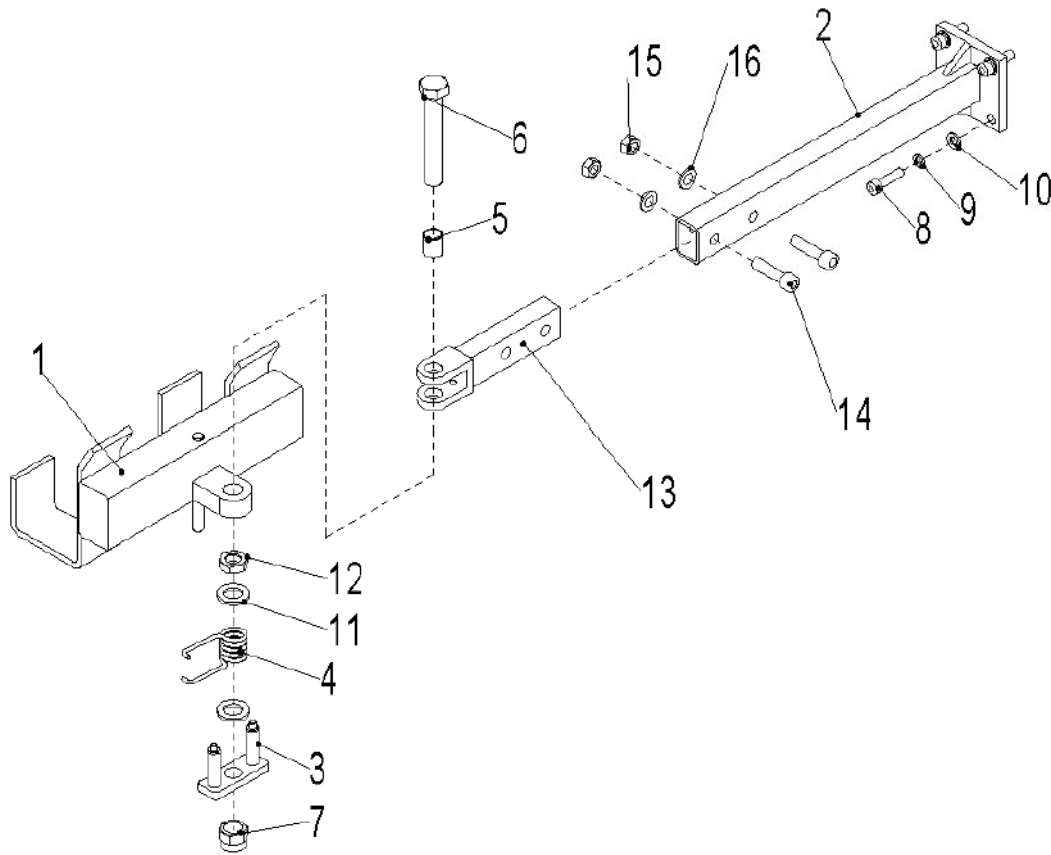


Fig.6 Dragging Frame (三)

No.	Art No.	Description	Qty.	Note	standard
1	900009536	Welded traction rod	1		
2	900009537	Welded fixed seat	1		
3	0090000508	Bolt	1	M12x120	GB/T5789
4	0090000509	Lock nut	1	M12	GB/T6187.1
5	900009538	Torsional spring	1		
6	1000413002	Bushing	1	12X15X15	
7	0000023455	Screw	4	M8x35	GB/T70.1=ISO4762
8	0000025001	Washer	4	8	GB/T93
9	0000025011	Washer	4	8	GB/T95



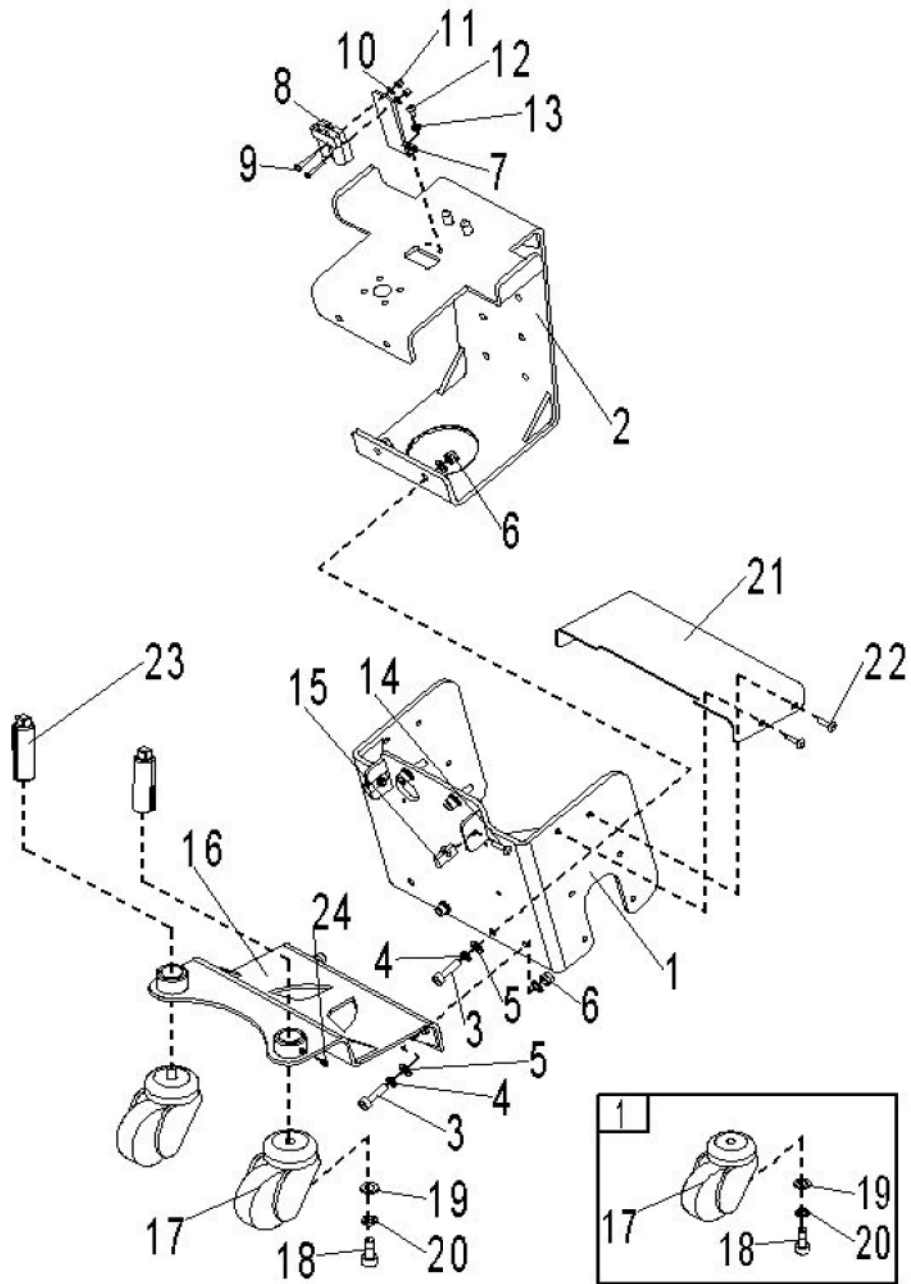
**Fig.7 Dragging Frame (四)**



**Fig.7 Dragging Frame (四)**

No.	Art No.	Description	Qty.	Note	standard
1	9000009556	Rack/ Hanger	1		
2	9000009557	Welded traction rod	1		
3	9000009558	Torsional spring frame	1		
4	9000009559	Torsional spring	1		
5	0000013030	Bushing	1	16X18X20	
6	0000023769	Bolt	1	M16x100	GB/T5782=ISO4014
7	0000024011	Lock nut	1	M16	GB/T889.1=ISO7040
8	0000023455	Screw	4	M8x35	GB/T70.1=ISO4762
9	0000025001	Washer	4	8	GB/T93
10	0000025011	Washer	4	8	GB/T95
11	0000025029	Washer	2	16	GB/T95
12	0000024010	Lock nut	1	M16	GB/T6172.1=ISO4035
13	9000009557	Welded fixing rod	1		
14	0000023025	Screw	2	M10x40	GB/T70.1=ISO4762
15	0000024065	Nut	2	M10	GB/T41
16	0000025002	Washer	2	10	GB/T95

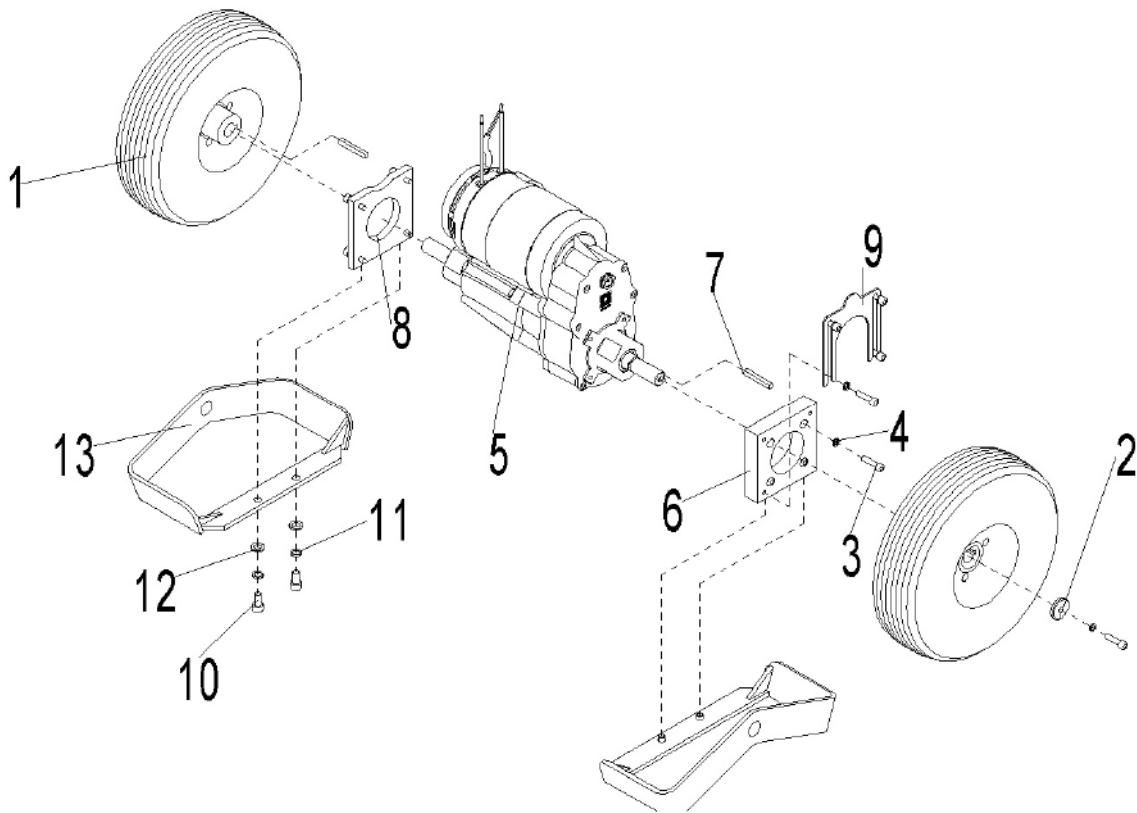
Fig.8 Truck Frame



**Fig.8 Truck Frame**

No.	Art No.	Description	Qty.	Note	standard
1	9000008185	Box welding	1		
2	9000008186	Dragging board welding	1		
3	0000023172	Screw	6	M8x30	GB/T70.1=ISO4762
4	0000025001	Washer	6	8	GB/T93
5	0000025011	Washer	12	8	GB/T95
6	0000024003	Lock nut	6	M8	GB/T889.1=ISO7040
7	9000008187	Plug board	1		
8	9000009568	SR50 78184-00	1	Without handle	
9	0000023043	Screw	2	M4x25	GB/T818=ISO7045
10	0000025019	Washer	2	4	GB/T95
11	0000024004	Lock nut	2	M4	GB/T889.1=ISO7040
12	0000023126	Screw	2	M5x12	GB/T70.2=ISO7380
13	0000025014	Washer	2	5	GB/T95
14	0000023121	Screw	2	M6X20	GB/T70.2=ISO7380
15	9000007785	Nut	2	M6	
16	9000008188	Supporting board welding	1		
17	2550100001	Steering wheel	2		
18	0000023088	Screw	2	M10x25	GB/T70.1=ISO4762
19	0000025002	Washer	2	10	GB/T95
20	0000023006	Washer	2	10	GB/T93
21	9000009539	Protective board	1		
22	0000023519	Screw	4	M6x10	GB/T70.2=ISO7380
23	9000009540	Screw	2		
24	0090000507	Screw	2	M8X8	GB/T79=ISO4028
1	9000010362	wheel accessories	2		

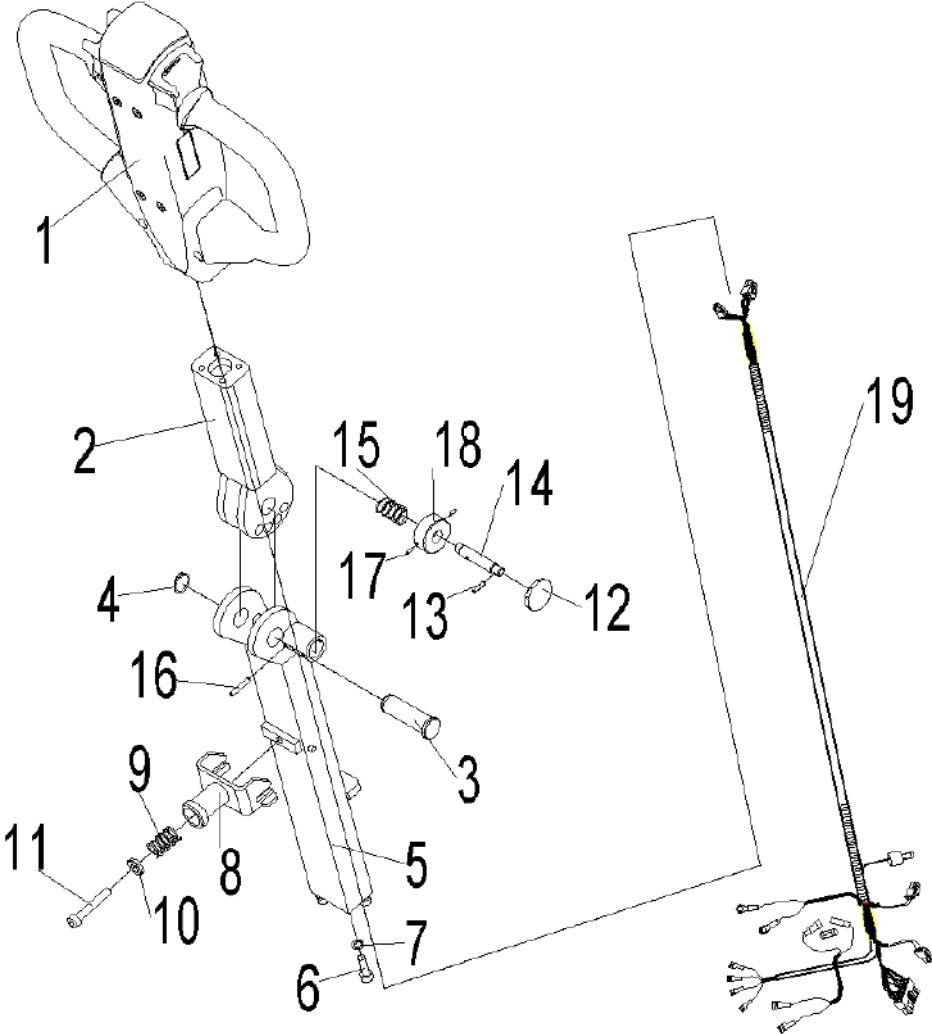
**Fig.9 Drive System**



**Fig.9 Driving System**

No.	Art No.	Description	Qty.	Note	standard
1	9000008189	Wheel assembly	2	pneumatic tire	
	9000009804	Drive wheel 250X80	2	non-marking tire	
2	9000008190	Retainer ring	2		
3	0000023030	Screw	14	M6x25	GB/T70.1=ISO4762
4	0000025010	Washer	14	6	GB/T93
5	9000008656	Transverse DC drive assembly	1	amer24V/400W	
6	9000008191	Assemble board 一	1		
7	0090000412	Flat key	2	C 6x45	GB/T1096
8	9000008192	Assemble board 二	1		
9	9000008193	Subplate	1		
10	0000023067	Screw	4	M8x16	GB/T70.1=ISO4762
11	0000025001	Washer	4	8	GB/T93
12	0000025011	Washer	4	8	GB/T95
13	9000009541	Drive wheel protective board	2		

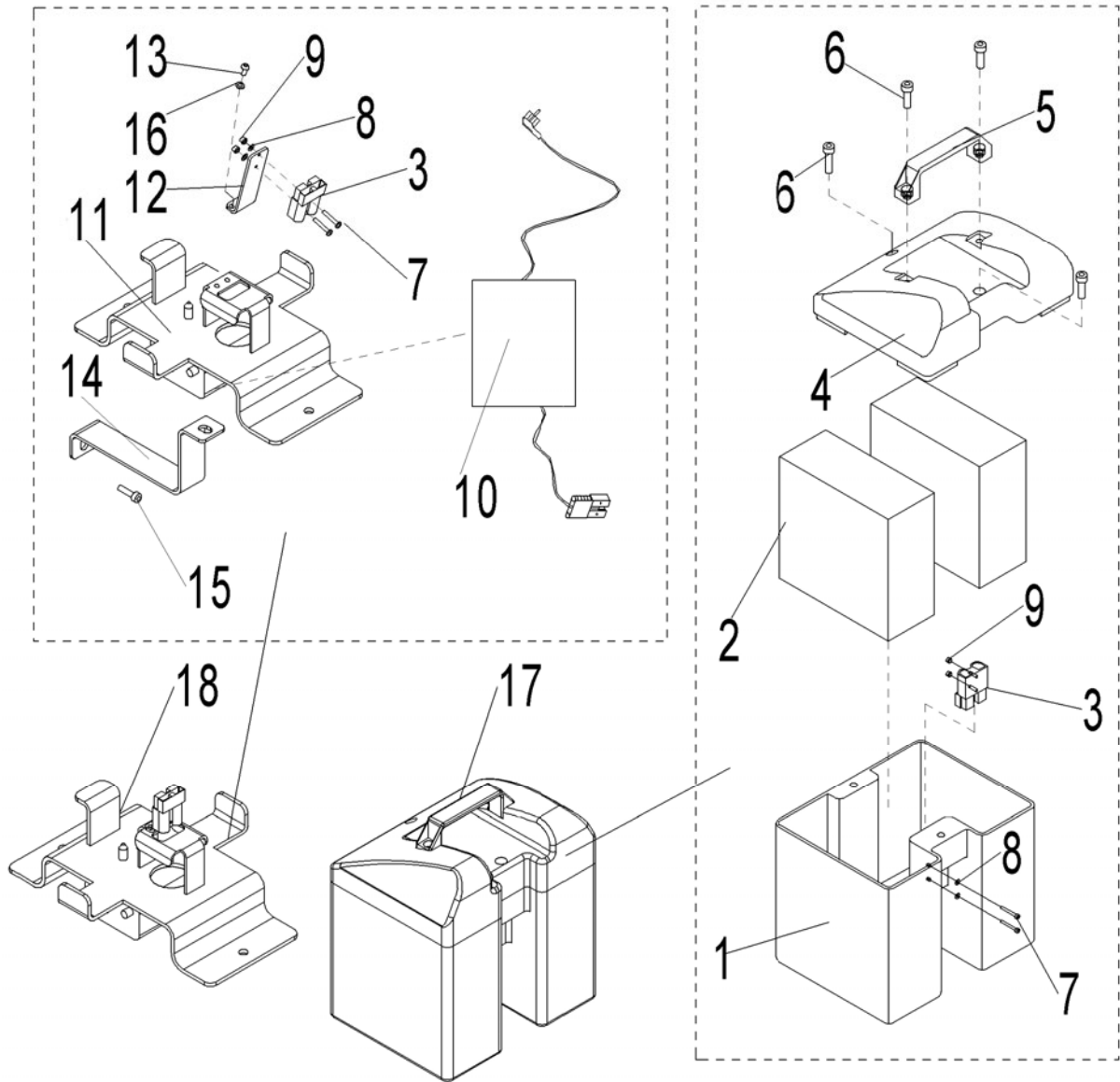
Fig.10 Tiller Arm



**Fig.10 Tiller Arm**

No.	Art No.	Description	Qty.	Note	standard
1	1070100002	Tiller	1		
2	9000008194	Tiller arm welding	1		
3	9000008195	Rotating axle	1		
4	0000026003	Retainer ring	1	20	GB/T894.1
5	9000008202	Tiller welding	1		
6	0000023047	Screw	8	M8x25	GB/T70.1=ISO4762
7	0000025001	Washer	8	8	GB/T93
8	9000008200	Fixed frame welding	1		
9	2210431002	Spring	1		
10	9000008201	Locating bushing	1		
11	0000023584	Screw	1	M8x50	GB/T70.1=ISO4762
12	2210402002	Hand wheel	1		
13	0000028024	Roll pin	1	4x16	GB/T879.1=ISO8752
14	9000008197	Locating shaft	1		
15	2210431002	Spring	1		
16	0000028167	Roll pin	1	4x28	GB/T879.1=ISO8752
17	0090000345	Screw	2	M3x8	GB/T73 =ISO2342
18	9000008198	End cap	1		
19	9000008589	Main control cable	1		

### Fig.11 Battery



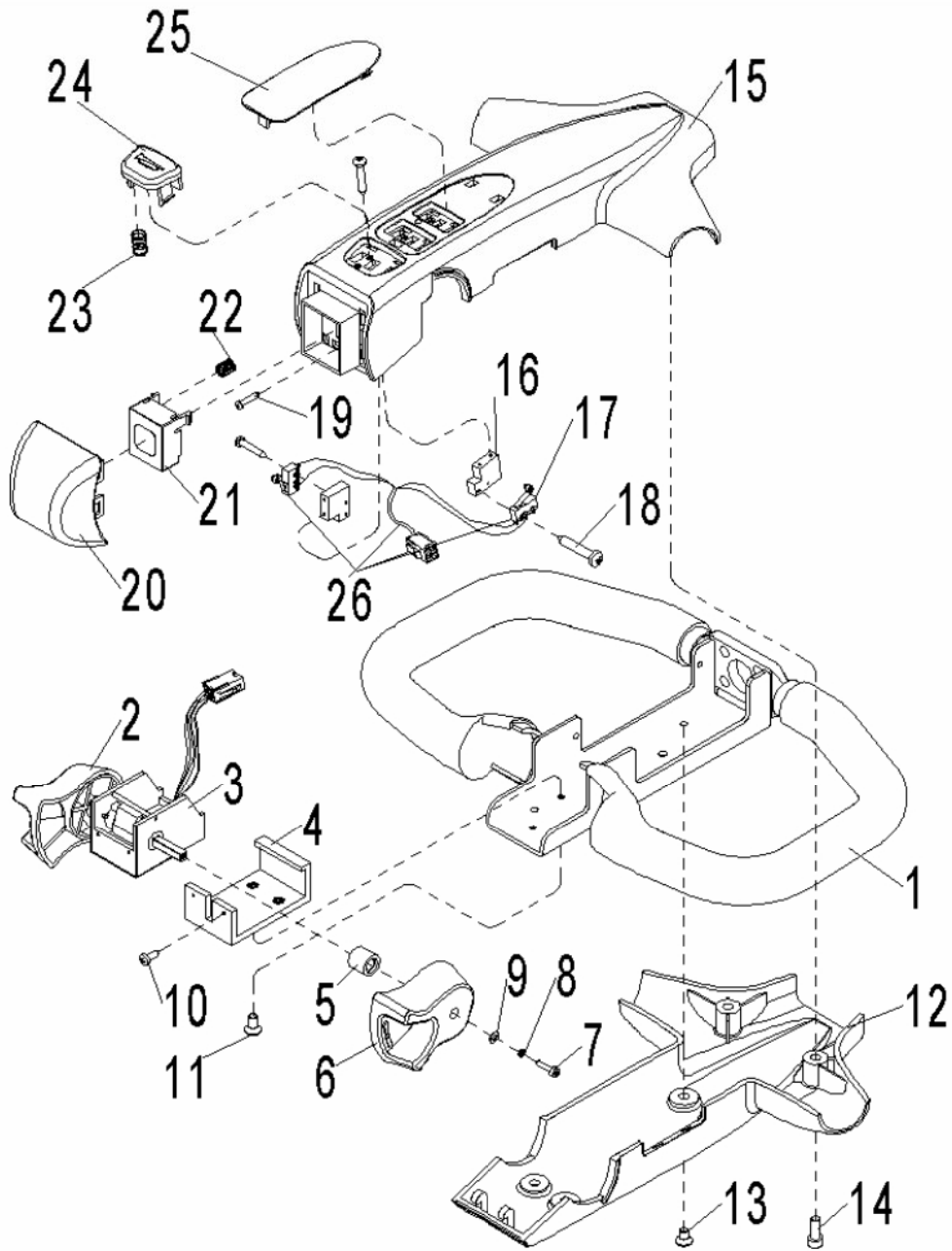
### Fig.11 Battery

No.	Art No.	Description	Qty.	Note	standard
1	9000008208	Battery box	1		
2	9000008336	Battery	2	12V/24Ah 5HR	
3	9000009568	SR50 78184-00	2		
4	9000008207	Battery box cover	1		
5	9000007808	Handle	1		
6	0000023047	Screw	4	M8x25	GB/T70.1=ISO4762
7	0000023043	Screw	4	M4x25	GB/T818=ISO7045
8	0000025019	Washer	4	4	GB/T95
9	0000024004	Lock nut	4	M4	GB/T889.1=ISO7040

10	9000009534	Charger 24V3A KP120W-31Q	1	Asia	
	9000009561			EU	
	9000009563			AUS	
	9000009565			ENG	
	9000009567			US	
11	9000009546	Charger seat	1		
12	9000009547	Plug board	1		
13	0000023675	Screw	2	M5x16	GB/T70.2=ISO7380
14	9000009548	Fixed plate	1		
15	0090000041	Screw	2	M5x10	GB/T70.2=ISO7380
16	0000024007	Lock nut	2	M5	GB/T889.1=ISO7040
17	9000008351	Power supply assembly	1		
18	9000009544	Charger assembly	1		



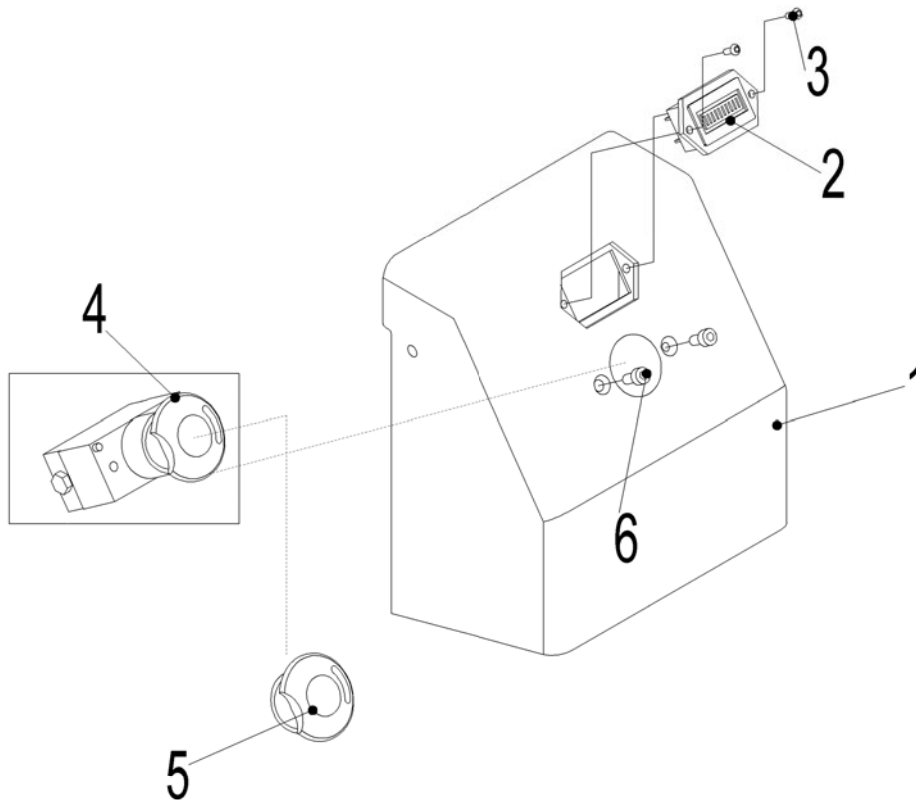
Fig.12 Tiller



**Fig.12 Tiller**

No.	Art No.	Description	Qty.	Note	standard
1	9000002189	Handle seat	1		
2	9000002175	Left drive knob	1		
3	9000008334	Accelerator BD-190	1		
4	9000002177	Accelerator connecting part	1		
5	9000002188	Bushing	2	ABS	
6	9000002176	Right drive knob	1		
7	0000023304	Screw M3X12	2	8.8	GB/T70.1=ISO4762
8	0000025003	Spring washer 3	2	65Mn	GB/T93
9	0000025026	Washer 3	2	Steel	GB/T95
10	0090000190	Screw M3X8	2	4.8	GB/T6560
11	0090000189	Screw M4X8	3	8.8	GB/T70.3=ISO10642
12	9000002358	Handle down cover	1	ABS	
13	0000023138	Screw M6X10	4	8.8	GB/T70.3=ISO10642
14	0000023063	Screw M6X16	2	8.8	GB/T70.1=ISO4762
15	9000002357	Handle upper cover	1	ABS	
16	9000002310	Micro switch fixing part	2		
17	9000002161	Micro switch SS-5GL2	2		
18	0090000261	Screw	4	ST2.2X13	GB/T845=ISO7049
19	0090000262	Screw	4	ST2.2X9.5	GB/T845=ISO7049
20	9000002180	Belly seat	1		
21	9000002181	Belly inner seat	1		
22	9000002182	Spring 0.8	4		
23	9000002186	Spring 0.6	2		
24	9000002183	Horn button	1		
25	9000002356	Label	1	ABS	

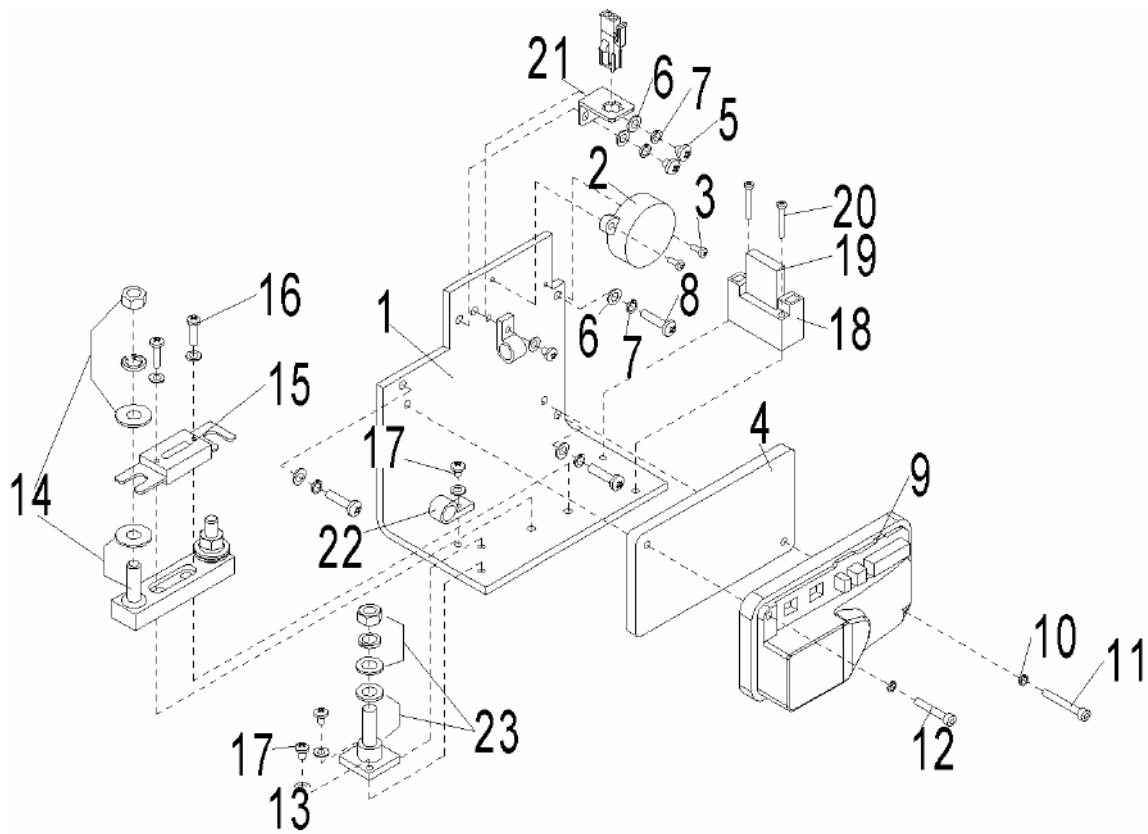
**Fig.13 Instruments Board Assembly**



**Fig.13 Instruments Board Assembly**

No.	Art No.	Description	Qty.	Note	standard
1	900008203	Controller box	1		
2	900009801	Indicator	1	Curtis906T24BWB	
3	0000023083	Screw	2	M3x8	GB/T70.2=ISO7380
4	1070334008	Emergency switch	1	S100/80	
5	9000002163	Emergency switch	1	S100/80	
6	0000023311	Screw	2	M5x10	GB/T70.1=ISO4762

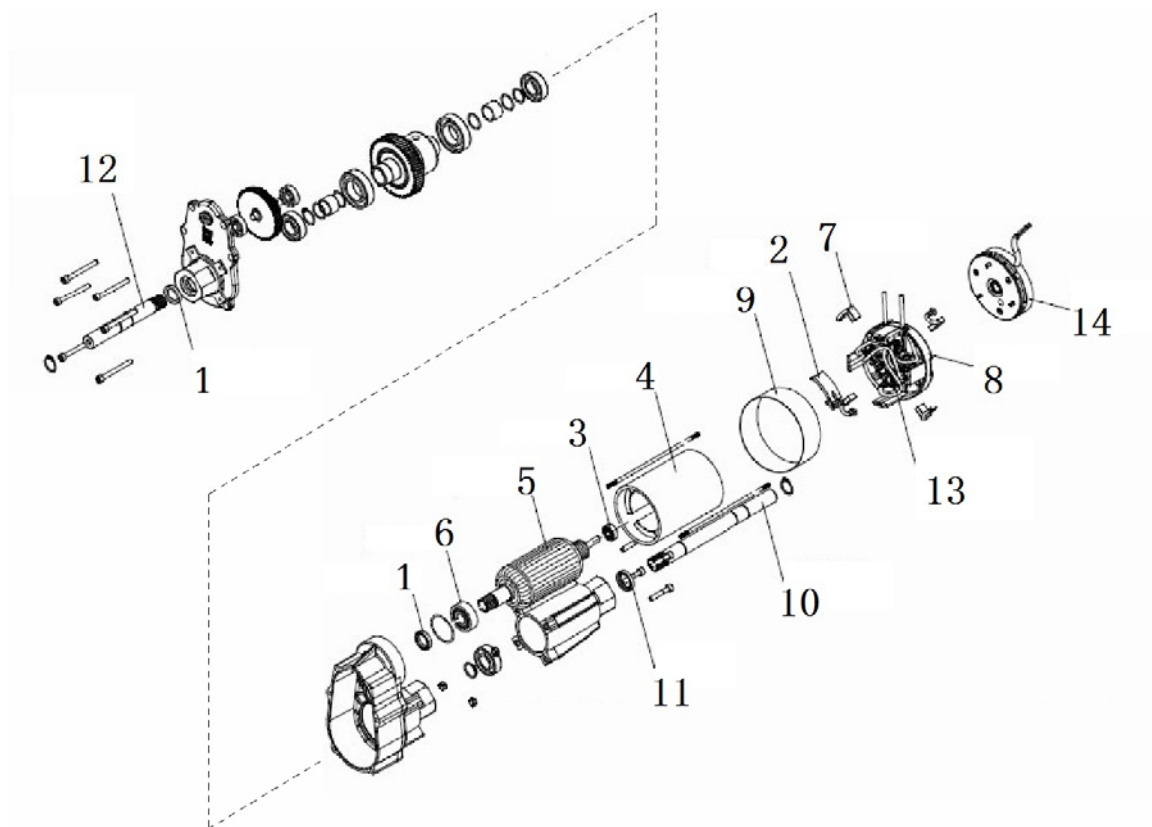
**Fig.14 Electronic Control Assembly**



**Fig.14 Electronic Control Assembly**

No.	Art No.	Description	Qty.	Note	standard
1	9000008206	Iron plate	1		
2	9000007394	Buzzer	1	HYD-4216W 24VDC	
3	0000023216	Screw	2	M3x8	GB/T818=ISO7045
4	9000008205	Aluminum plate	1		
5	0000023516	Screw	2	M5x10	GB/T818=ISO7045
6	0000025014	Washer	5	5	GB/T95
7	0000025015	Washer	5	5	GB/T93
8	0000023540	Screw	3	M5x20	GB/T818=ISO7045
9	9000009802	Controller	1	CURTIS1212P-2501	
10	0000025009	Washer	2	4	GB/T93
11	0090000082	Screw	1	M4x30	GB/T70.1=ISO4762
12	0000023033	Screw	1	M4x25	GB/T70.1=ISO4762
13	0000025019	Washer	12	4	GB/T95
14	1000434007	Fuse seat	1	SY Y	
15	9000008642	Fuse	1	30A	
16	0000023211	Screw	4	M4x16	GB/T818=ISO7045
17	0000023307	Screw	4	M4x10	GB/T818=ISO7045
18	1000434021	Fuse seat	1	BD-1X10A	
19	1000434040	Fuse	1	10A	
20	0000023074	Screw	2	M3x30	GB/T818=ISO7045
21	1010404005	Plug fixing frame	1		
22	1000403004	Line buckle	2	UC-2	
23	1020434002	M8 terminal	1	BD-M8	

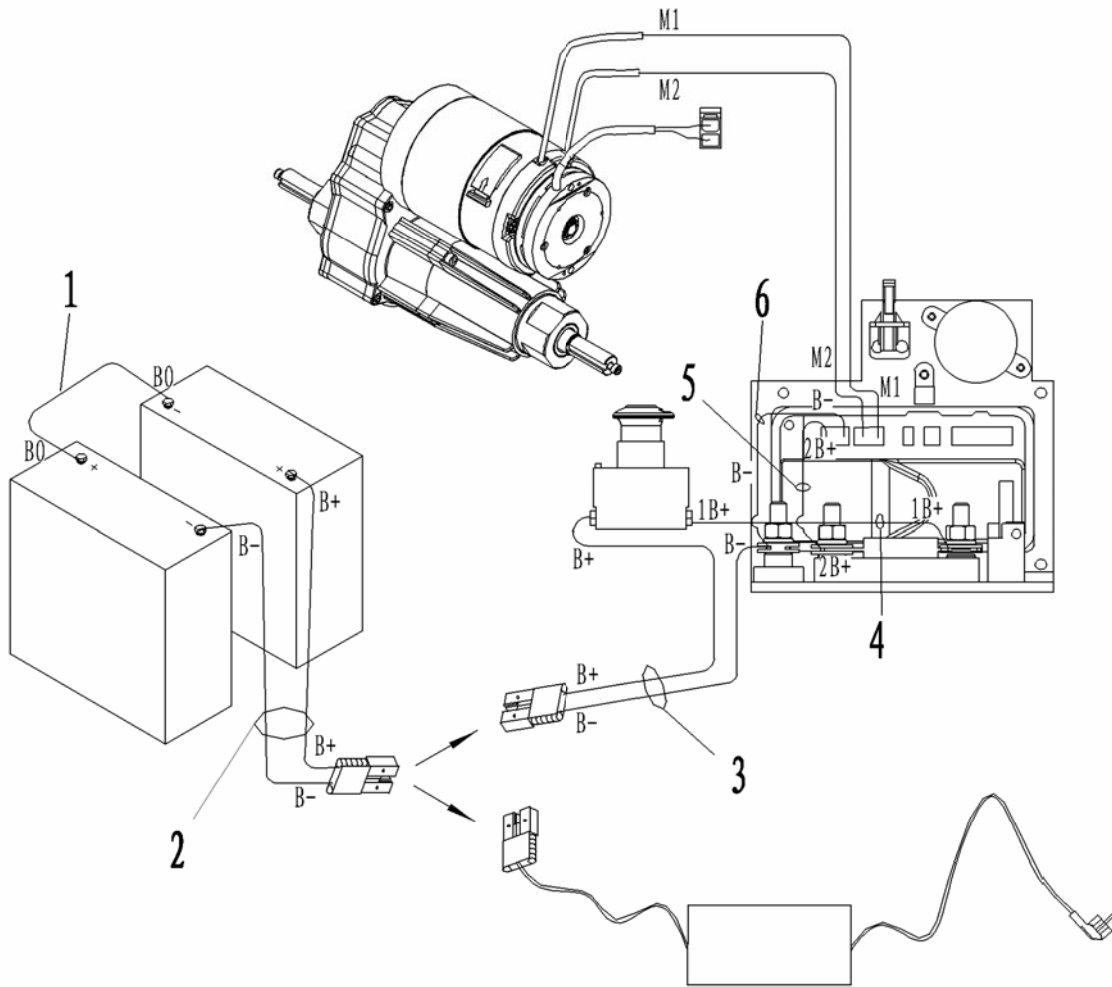
**Fig.15 Drive Wheel**



**Fig.15 Drive Wheel**

No.	Art No.	Description	Qty.	Note	standard
1	900009808	Seal ring	1		
2	900009809	Safety hook	1		
3	900009810	Bearing	1		
4	900009811	Stator	1		
5	900009812	Armature	1		
6	900009813	Bearing	1		
7	900009814	Brush	4		
8	900009815	Brush lid	1		
9	900009816	Brush cover	1		
10	900009817	Right axle	1		
11	900009818	Gearbox seal	2		
12	900009819	Left axle	1		
13	900009820	Brush holder	1		
14	900009821	Brake	1		

**Fig.16 Cables**



**Fig.16 Cables**

No.	Art No.	Description	Qty.	Note	Standard
1	9000008592	B0 cable	1		
2	9000008590	Battery power cable	1		
3	9000008591	Main power cable	1		
4	9000008593	1B+ cable	1		
5	9000008594	2B+ cable	1		
6	9000008595	B- cable	1		

### Easy worn parts list

No.	Part number	Name	Qty.	Fig./Position	Note
1	9000009568	SR50 78184-00	1	Fig.8/8	Truck frame
2	2550100001	Steering wheel	2	Fig.8/17	
3	9000008189	Wheel assembly	2	Fig.9/1	Drive system
4	9000008208	Battery box	1	Fig.11/1	Battery
5	9000009568	SR50 78184-00	1	Fig.11/3	
6	9000008207	Battery box cover	1	Fig.11/4	
7	9000002161	Micro switch	2	Fig.10217	Tiller
8	1070334008	Emergency switch S100/80	1	Fig.13/4	Instruments Board Assembly
9	9000002163	Emergency switch S100/80 key	1	Fig.13/5	
10	9000008642	Fuse 30A	1	Fig.14/15	Electronic Control Assembly
11	1000434040	Fuse 10A	1	Fig.14/19	